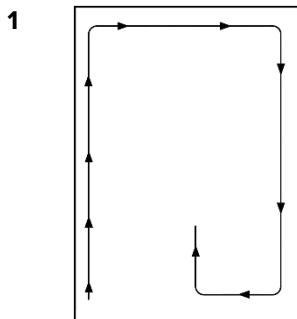
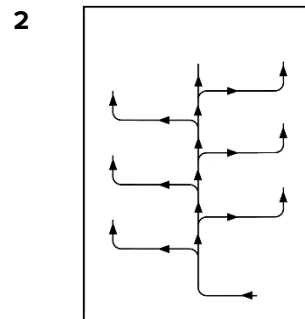


**FIGURE MARCHING**

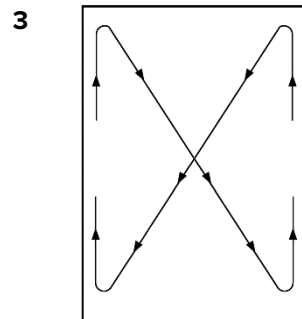
- This is a video entry competition
- Each section may enter with a squad of a minimum of 6 Boys.
- Commands may be given by an NCO or an officer
- Music may be used when performing the routine.
- Sections should film their routine and share the footage with Battalion HQ for judging.
- Please advise the Battalion Office when you will be filming your entry and we will arrange for an independent adjudicator to be present.
- The film should be one continuous clip without edits during the routine.
- Entries can be made by sending a link to a private Youtube video, bringing the footage on a camera/ phone (with appropriate USB cable) or memory card into Battalion HQ, or sending a USB stick or DVD to Battalion HQ.
- Entries should be received at Battalion HQ by Friday 20<sup>th</sup> March 2020.



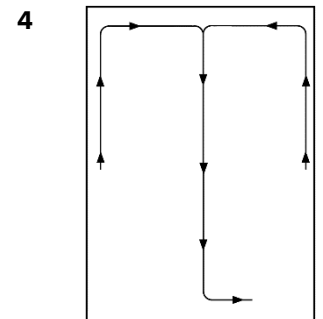
1 Enter hall, march around and up centre



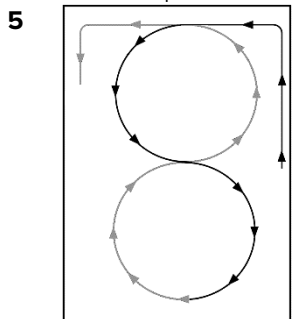
2 Up centre of hall and split



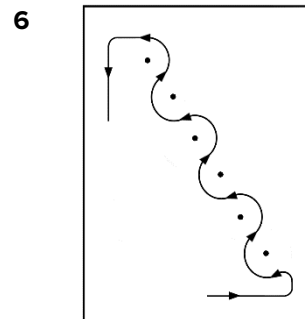
3 Cross and then back up sides



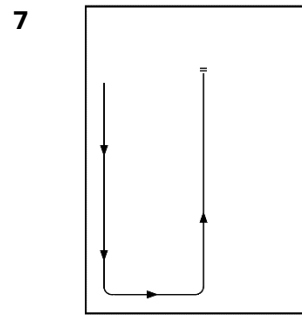
4 Merge down centre and left wheel



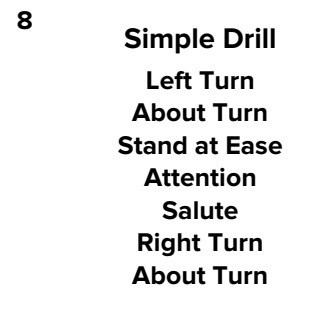
5 Into Figure of 8



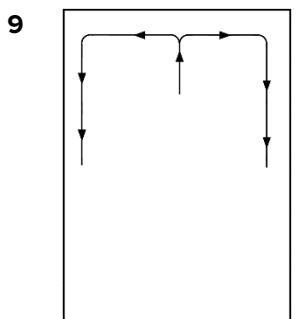
6 Snake movement



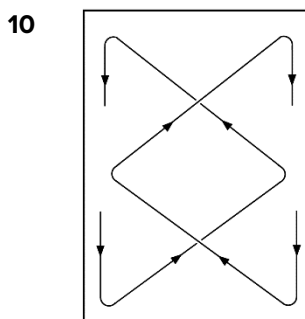
7 Down centre of hall and halt



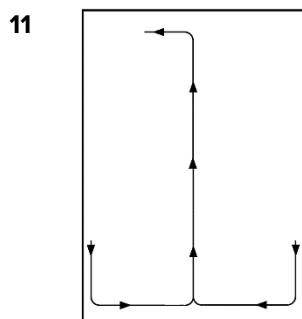
8 Simple Drill movements



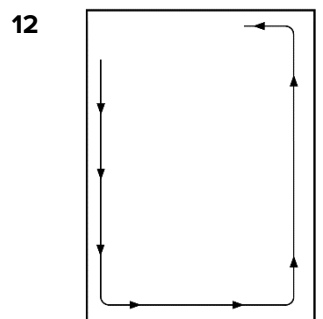
9 March off and split



10 Diamond and back up sides



11 Merge and down centre of hall.



12 March around hall and exit